

Idaho High School Activities Association

**2015
State Softball Manual**



**United Dairymen of Idaho
The Official Sponsor of IHSAA State Championship Events**

2014-2015 State Tournament Host Hotels

The following hotels have agreed to serve as the 2014-2015 State Tournament Host Hotels by providing complimentary rooms for tournament officials. We appreciate their generous support and urge all IHSAA member schools to patronize these Partners in Youth Development.

<u>EAST BOISE</u>		
Boise Hotel & Conference Center	3300 Vista Ave, Boise	208-344-8365
Courtyard by Marriott, Boise Downtown	222 S Broadway Ave, Boise	208-331-2700
Fairfield Inn by Marriott, Boise	3300 S Shoshone St, Boise	208-331-5656
Holiday Inn, Boise	2970 W Elder St, Boise	208-914-2054
Hyatt Place	925 N Milwaukee, Boise	208-375-1200
La Quinta, Boise Airport	2613 S Vista Ave	208-388-0800
SpringHill Suites, Park Center	424 E Park Center Blvd	208-342-1044

<u>WEST BOISE / NAMPA / CALDWELL</u>		
Candlewood Suites, Meridian	1855 S Silverstone Way, Meridian	208-888-5121
Country Inns & Suites	3355 E Pine Ave, Meridian	208-639-3300
Fairfield Inn & Suites, Nampa	16150 N Midland Blvd, Nampa	208-467-5888
Hampton Inn & Suites, Nampa	5750 Franklin Rd, Nampa	208-442-0036
Shilo Inns & Resorts		
Nampa Suites	1401 Shilo Dr, Nampa	208-465-3250
Sleep Inn	1315 Industrial Rd, Nampa	208-463-6300
SpringHill Suites	6325 N Cloverdale Rd, Boise	208-939-8266
TownePlace Suites, Meridian	1415 S Eagle Rd, Meridian	208-884-8550

<u>COEUR D'ALENE AREA</u>		
Coeur d'Alene Inn (Best Western)	506 W Appleway, Coeur d'Alene	208-765-3200
Coeur d'Alene Resort	115 S 2 nd St, Coeur d'Alene	208-765-2300
Red Lion Templin's	414 E First Ave, Post Falls	208-773-1611

<u>LEWISTON AREA</u>		
Holiday Inn Express	2425 Nez Perce Dr	208-750-1600
Red Lion Hotel	621 21 st St	208-748-1000

<u>POCATELLO AREA</u>		
Clarion Inn	1399 Bench Rd	208-637-6597
Comfort Inn	1333 Bench Rd	208-237-8155
Hampton Inn & Suites	151 Vista Dr	208-233-8200
Pocatello Inn (Best Western)	1415 Bench Rd	208-237-7650
Ramada Inn	133 W Burnside Ave	208-237-0020
Red Lion Hotel	1555 Pocatello Creek Rd	208-233-2200
Rodeway Inn	835 S 5 th Ave	208-233-0451
Shoshone-Bannock Hotel & Event Center	777 Bannock Trail Ave, Fort Hall	208-238-4800
Super 8	1330 Bench Rd	208-234-0888
TownePlace Suites	2376 Via Caporatti	208-478-7000

<u>TWIN FALLS / BURLEY AREA</u>		
Burley Inn	800 N Overland Ave, Burley	208-678-3501
Holiday Inn Express	1554 Fillmore, Twin Falls	208-732-6001
Red Lion Hotel	1357 Blue Lakes Blvd N, Twin Falls	208-734-5000
Shilo Inn, Twin Falls	1586 Blue Lakes Blvd N, Twin Falls	208-733-7545

<u>IDAHO FALLS AREA</u>		
GuestHouse Inn & Suites	850 Lindsay Blvd	208-777-1405
Hotel on the Falls	475 River Parkway	208-523-8000
Shilo Inn, Idaho Falls	780 Lindsay Blvd	208-523-0088

IDAHO HIGH SCHOOL ACTIVITIES ASSOCIATION

Ty Jones, Executive Director Julie Hammons, Assistant Director
Tel: 208-375-7027 Fax: 208.322.5505 Email: admin@idhsaa.org
8011 Ustick Rd Boise, ID 83704

2015 STATE SOFTBALL TOURNAMENT MANUAL

WELCOME

Welcome to the State Softball Championships. Thank you for supporting Idaho high school activities. The IHSAA and the United Dairymen of Idaho are proud to sponsor this tournament. We hope it will be an enjoyable, educational, and memorable experience for all players, coaches, and fans. Good luck! This manual includes policies and procedures for the State Softball Championships.

TABLE OF CONTENTS

Admission-General5

Admission-Team Personnel5

All-Tournament Teams6

Awards5

Brackets.....7-8

Determining Home Team5

Dressing Rooms5

Governance4

Hotel Conduct / Information6

Litter6

Lost & Found6

Media Credentials6

National Anthem6

Number of Players4

Official Ball4

Officials / Scorers4

Play-in Games6

Pre-Tournament Meetings4

Pre-Tournament Practice4

Programs7

Protests6

Representation.....4

Rosters & Team Pictures4

Sites / Managers4

Sportsmanship / Crowd Control.....5

State Records10

Time Schedule9

T-shirts / Souvenir Merchandise6

Towels6

Training Room6

Warm-up Periods5

2015 IDAHO STATE SOFTBALL CHAMPIONSHIPS

May 15 – 16, 2015

TOURNAMENT SITES / MANAGERS

5A Site: Post Falls High School
2832 E Poleline Road
Manager: Craig Christensen
Post Falls High School
Ph: 773-0581 x 6314

4A / 3A Site Ramsey Park, Coeur d'Alene
N 5530 4th Street
Manager: Todd Gilkey / Dick Schreiber
Coeur d'Alene HS / Kellogg HS
Ph: 667-4500 / 784-1371

2A Site: Orofino H.S.
Manager: Doug South
300 Dunlap Road
Orofino 83544

1A Site: Airport Park, Lewiston
Manager: Travis Mader/Kelly Caldwell
Prairie HS / Genesee HS
Travis: 962-3901 x 25

IHSAA Administrator: Ty Jones

2015 Softball Representation

<u>5A</u>		<u>4A</u>		<u>3A</u>		<u>2A</u>		<u>1A</u>	
Dist. I-II	1.5	Dist. I-II	1	Dist. I	1.5	Dist. I-II	1.5	Dist. II	2
Dist. III	4.5	Dist. III	2.5	Dist. III	2.5	Dist. III	2.5	Dist. III	2
Dist. V-VI	2	Dist. IV	2.5	Dist. IV	1.5	Dist. IV	1		
		Dist. V-VI	2	Dist. V	1	Dist. V	1.5		
				Dist. VI	1.5	Dist. VI	1.5		

Governance

All Idaho high school softball games are governed by the rules of the National Federation of State High School Associations and applicable Idaho state modifications.

Team Rosters and Pictures

Rosters and team pictures are due in the IHSAA office when your regular season is completed. Rosters must be submitted electronically via the IHSAA website, idhsaa.org. Do NOT fax or mail rosters. Pictures may be e-mailed as JPEG or TIFF images to cherylm@idhsaa.org or mailed to the IHSAA at 8011 Ustick Road, Boise 83704.

Pre-Tournament Meetings

Pre-tournament meetings for all classifications will be held Friday morning, May 15, at a place and time to be announced. All participating schools should be represented at the pre-tournament meeting, as important tournament details will be discussed.

Pre-Tournament Practice

Teams who wish to practice in the locale of the state tournament should contact the tournament manager for a site and time.

Number of Players

At play-in and state tournament games, a maximum of seventeen players may be in uniform at the start of the contest. Violation of this rule will result in the school being assessed a maximum fine for dressing more than the approved number of players at a state play-in or tournament game with forfeiture of the game if excess numbers play.

Official Ball

At state tournaments, the Dudley Thunder Heat WT-12-Y-FP softball will be used.

Officials / Scorers

Tournament umpires will be provided and assigned by the IHSAA. Tournament management will provide official scorers.

Admission - Team Personnel

At play-in and state tournament games, a maximum of seventeen players may be in uniform at the start of the contest. Violation of this rule will result in the school being assessed a maximum fine for dressing more than the approved number of players at a state play-in

or tournament game with forfeiture of the game if excess numbers play. All classifications will be allowed four coaches and three support personnel to be admitted without an IHSAA card or tournament pass. Any coaches or support personnel exceeding that number must have either an IHSAA card or purchase a tournament pass.

Admission - General

5A / 4A / 3A / 2A

Tournament Pass - General	\$18.00
Tournament Pass - Discount	\$15.00
General Admission Sessions 1-3	\$ 5.00 per session
Discount Admission Sessions 1-3	\$ 4.00 per session
General Admission Session 4	\$ 6.00
Discount admission Session 4	\$ 5.00

1A

Session 1 - General	\$5.00
Session 1 - Discount	\$4.00
Session 2 - General	\$6.00
Session 2 - Discount	\$5.00

Senior Citizens, children in grades 1-6 and students in grades 7-12 with school activity card may purchase discount admission. Children under 6 will be admitted free.

Warm-up Periods

A 15-minute warm-up on the playing diamond will be allowed for each team playing in their first game of each day. All other warm-up times between games will be limited to throwing and stretching at the side of the field near the teams' respective dugouts. The tournament manager will set the length of the warm-up time.

Determining Home Team

At state play-in games, the home team shall be determined by the flip of a coin. At the state tournament, the home team for round one games shall be the team on the top of the bracket. In subsequent rounds, the home team shall be determined by the flip of a coin. The home team dugout shall be on the first base side.

Awards

Trophies will be awarded to first, second, third and fourth place teams in the 5A, 4A, 3A and 2A classifications. Championship and runner-up trophies will be awarded in the 1A classification. Medals will be awarded to members of the championship and runner-up teams.

Presentation of Awards: The fourth place and third place trophies will be awarded at the conclusion of those games. The second place and championship trophies will be presented at the conclusion of the championship game. The runner-up trophy will be awarded and the coach will introduce each of the players and present them with their medal. The same procedure will be followed for the championship trophy and medal presentation.

Sportsmanship / Crowd Control

The practice of good sportsmanship by all participants, coaches, students and adult fans is imperative. The IHSAA expects close supervision of students and adult fans at state tournaments, and asks for the continued support and cooperation of administrators in enforcing all state tournament sportsmanship rules. The following rules are in effect at all IHSAA state championship events:

1. Full and/or half face painting is not permitted. Partial face painting is permitted such as small markings on the cheeks, nose, or forehead. Covering the face or head with a mask, or anything that obscures identification, is not permitted. School mascots and halftime performers are excluded.
2. Posters/Banners/Signs All signs must show only positive support for one's own team. Those that direct negative comments towards opponents or are unsportsmanlike or vulgar are not permitted.
3. Artificial Noisemakers Artificial noisemakers are prohibited. Artificial noisemakers are items such as (but not limited to) megaphones, air horns, bells, whistles, and clickers. Exception: Cheerleaders (only) may use megaphones at football games.
4. Balloons Balloons are not permitted at any IHSAA state play off or championship event.
5. Attire Bare chests are not permitted. Shirts must be worn.
6. Inappropriate Behaviors The following behaviors are not permitted:
 - a. Throwing objects onto the playing area before, during, or after a contest.
 - b. Entering the playing area before, during, or after a contest.
 - c. Verbal harassment or derogatory remarks directed toward an opponent or official.

Dressing Rooms

Dressing rooms will be assigned if available and requested, but due to limited space, teams are encouraged to dress in their motel rooms. Arrangements can be made to lock up valuables.

Towels

Tournament management will not provide towels. Teams are responsible for bringing their own towels.

Training Room

Training room facilities and a trainer will be available for special assistance or in case of an emergency. Schools should plan to furnish their own tape and supplies.

National Anthem

The National Anthem will be played at the start of the state championship game.

Programs

Souvenir programs will be available for \$5.00 each.

Protests

The IHSAA Board of Directors does not recognize protests of sports officials' decisions. Correction of errors can only be handled in accordance with the National Federation rules.

T-Shirts / Souvenir Merchandise

McU Sports will sell state tournament souvenir merchandise, including t-shirts, sweatshirts, hats and other items at each tournament site.

Working through McU Sports, The United Dairymen of Idaho will give each state tournament participant a sweatshirt. The number and sizes needed, should your team qualify for the state tournament, are to be entered when the roster is filled out on the IHSAA website.

Litter

Teams are responsible to pick up litter from the dugout and on the playing field. Schools should assist tournament managers in keeping the facility clean, by closely supervising student sections.

Lost and Found

The lost and found will be located at a site determined by each tournament manager.

Media Credentials

Members of the media who do not have their own credentials should request media passes from tournament managers.

Tournament Headquarters Hotels

See page 2 for a listing of tournament host hotels. We encourage all schools to take advantage of their special team rates.

Hotel Conduct

Each year a few athletes create a bad image for the rest by uncontrolled behavior in hotels. Coaches are encouraged to check rooms closely upon arrival and at departure. Please make sure your athletes are properly supervised at all times.

All-Tournament Teams

The IHSAA is philosophically opposed to all-tournament team selections. If the media wishes to conduct a poll, that is their prerogative, but the IHSAA will not support it through announcements at any time.

STATE PLAY-IN GAMES

5A Play-in

1-2B Fruitland or Payette HS
12:00 p.m. Mountain
3E Sat., May 9, 2015

4A Play-in

3C Mountain Home HS
1:00 pm
4C Sat., May 9, 2015

3A Play-in

1B Payette or Fruitland HS
2:00 p.m Mountain
3C Sat., May 9, 2015

2A Play-In

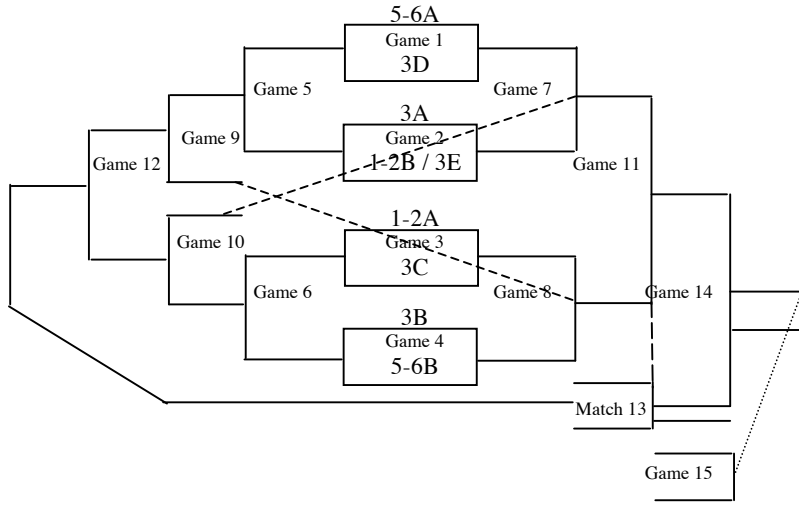
1-2B Payette HS
4:00 p.m. Mountain
3C Sat, May 9, 2015

4B Ward Field, Pocatello
1:00 p.m
6B Sat., May 9, 2015

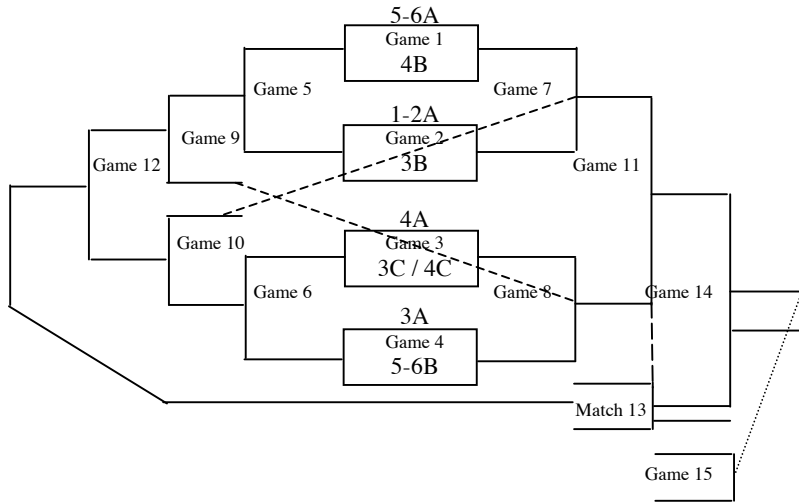
5B Ward Field, Pocatello
1:00 p.m.
6B Sat., May 9, 2015

STATE TOURNAMENT BRACKETS

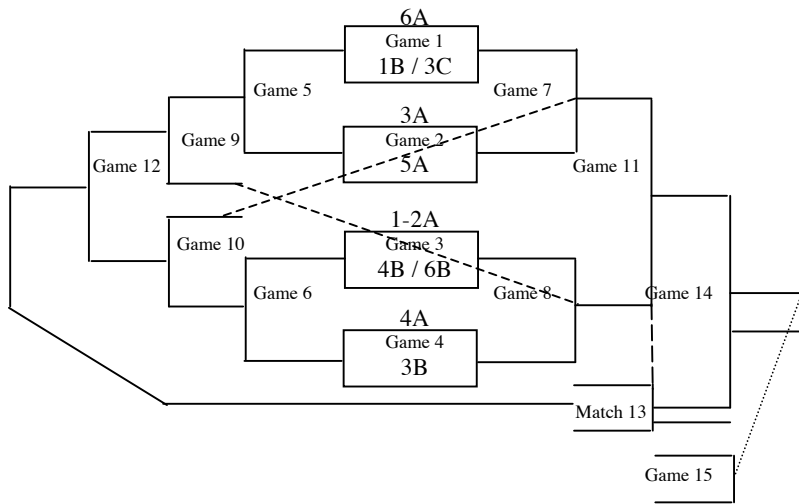
5A



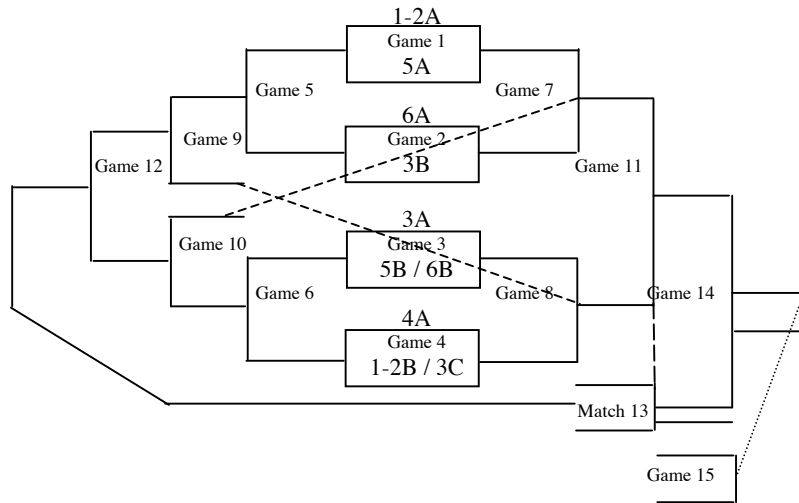
4A



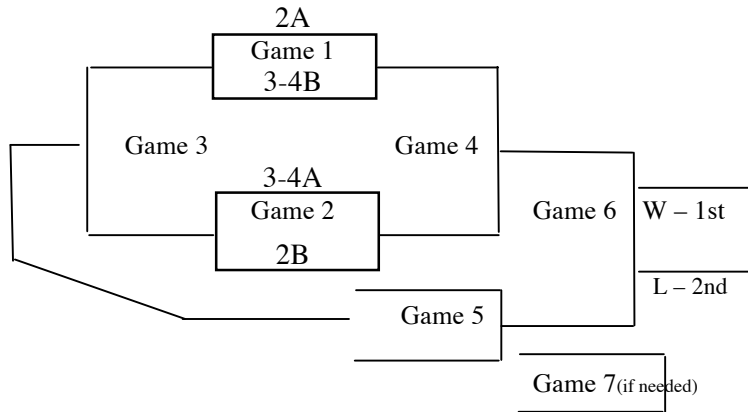
3A



2A



1A



STATE SOFTBALL TOURNAMENT TIME SCHEDULE 5A, 4A, 3A 2A

Session 1		Session 3 (Friday)	
Game No. 1	9:00 a.m.	Game No. 9	5:00 p.m.
Game No. 2	11:00 a.m.	Game No. 10	5:00 p.m.
Game No. 3	9:00 a.m.	SATURDAY	
Game No. 4	11:00 a.m.	Session 4	
Session 2		Game No. 11	10:00 a.m.
Game No. 5	1:00 p.m.	Game No. 12	10:00 a.m.
Game No. 6	1:00 p.m.	Game No. 13	12:00 p.m.
Game No. 7	3:00 p.m.	Game No. 14	2:00 p.m.
Game No. 8	3:00 p.m.	Game No. 15 (if necessary)	4:00 p.m.

FRIDAY		1A	SATURDAY	
Session 1		Session 2		
Game #1	12:00 p.m.	Game #5	10:00 a.m.	
Game #2	12:00 p.m.	Game #6	12:00 p.m.	
Game #3	3:00 p.m.	Game #7 (if needed)	2:00 p.m.	
Game #4	3:00 p.m.			

state softball champions & records

State Softball Winners

5A	1997 Centennial Paul Atwood	2008 Kuna Joe Kleffner	2A	1997 Homedale Jim McMillan	1A	2009 Prairie Travis Mader
	1998 Coeur d'Alene Larry Bieber	2009 Mountain Home Chris Asbury		1998 Homedale Jim McMillan		2010 Genesee Kelly West
	1999 Coeur d'Alene Larry Bieber	2010 Mountain Home Chris Asbury		1999 Melba Don Jamison		2011 Prairie Jeff Martin
	2000 Eagle Judy Crandell	2011 Emmett Melissa Proctor		2000 West Side Lori Beckstead		2012 Prairie Jeff Martin
	2001 Lake City Darren Taylor	2012 Skyview Jessica Wilson		2001 New Plymouth Troy Knapp		2013 Genesee Kelly Thompson
	2002 Eagle Judy Crandell	2013 Bishop Kelly Tom Antonopolis		2002 New Plymouth Troy Knapp		2014 Horseshoe Bend Craig Elliott
	2003 Eagle Judy Crandell	2014 Twin Falls Jessica Pistole		2003 Parma Bud Bowman		
	2004 Eagle Kacey Schmidt	3A	2004 Melba Don Jamison		A-4 (Slow-Pitch)	
	2005 Timberline Annie Schmidt	1997 Bishop Kelly Wes Worrell	2005 Malad Scott Ray		1997 Lakeside Bryan Chase	
	2006 Coeur d'Alene Larry Bieber	1998 Bishop Kelly Wes Worrell	2006 New Plymouth Troy Knapp		1998 Genesee Glenn Adams	
	2007 Coeur d'Alene Larry Bieber	1999 Bishop Kelly Wes Worrell	2007 Melba Don Jamison		1999 Rimrock Mike Chandler	
	2008 Eagle Brian White	2000 Bear Lake Alan Schwab	2008 Melba Don Jamison		2000 Rimrock Mike Chandler	
	2009 Timberline Annie Schmidt	2001 Lakeland James Pizelo	2009 Melba Don Jamison		2001 Rimrock Mike Chandler	
	2010 Post Falls Jack Foster	2002 Lakeland James Pizelo	2010 New Plymouth Troy Knapp			
	2011 Lake City Laura Tolzmann	2003 Buhl Steve Ordonez	2011 Marsing Sean Hardy		Not sponsored after 2001	
	2012 Coeur d'Alene Larry Bieber	2004 Middleton Randy Lyons	2012 Melba Don Jamison			
	2013 Lake City Laura Tolzmann	2005 Middleton Randy Lyons	2013 Malad Scott Ray			
	2014 Mountain View Tim Souza	2006 Bear Lake Ken Parks	2014 Malad Scott Ray			
4A		2007 Kimberly Rich Bishop				
	2001 Bishop Kelly Wes Worrell	2008 Buhl Shelly Hart				
	2002 Emmett Kim Zilne	2009 Kimberly Rich Bishop				
	2003 Bishop Kelly Wes Worrell	2010 Kimberly Rich Bishop				
	2004 Madison Preston Berry	2011 Fruitland Joe Gastanga				
	2005 Bishop Kelly Wes Worrell	2012 Fruitland Joe Gastanga				
	2006 Bishop Kelly Wes Worrell	2013 Homedale Larry Corta				
	2007 Bishop Kelly Wes Worrell	2014 Filer Todd Mansfield				

State Softball Records

5A		3A		2A	
Team		Team		Team	
Runs in one game	Eagle - 15, 1997; Lake City, 15 - 1999	Runs in one game	Lakeland, 21 - 1997	Runs in one game	West Side, 27 - 2005
Avg. runs scored per game	Post Falls, 8.75 - 2010	Avg. runs scored per game	Homedale, 10.25 - 2013	Avg. runs scored per game	Melba, 13 - 2006
Shut-outs	Eagle, 3 - 2000; Coeur d'Alene, 3 - 2003	Shut-outs	Kimberly, 3 - 2008	Shut-outs	Parma, 4 - 2003
E.R.A.	Coeur d'Alene, .025 - 1999	E.R.A.	Middleton, .24 - 2005	E.R.A.	Parma, .000 - 2003
Individual — Batting		Individual — Batting		Individual — Batting	
Batting average	Sydney Sperry, Centennial, .778 - 2011	Batting average	Jenny Phillips, Fruitland, .6923 - 2012	Batting average	Emma Abbe, New Plymouth, .750 - 2012
Hits	Kelli O'Hara, Lake City, 11 - 1999	Hits	Chyna Wilcox, Bear Lake, 13 - 2000	Hits	Cina Blaisdell, Malad, 18 - 2013
Doubles	Jaccie Wilson, Lake City, 11 - 2013	Doubles	Gardenia Machuca, Homedale, 13 - 2013	Doubles	Ada McCormack, Lapwai, 5 - 2001
Triples	Lindsay Barnett, Borah, 4 - 2007	Triples	Kaydi Hobbs, Bear Lake, 5 - 2005	Triples	Larissa Crump, Malad, 3 - 2007
Home runs	Sheila Hutchison, Blackfoot, 3 - 2000	Home runs	Multiple at 2	Home runs	Emma Abbe, New Plymouth, 3 - 2012
RBI's	Amanda Brouillard, Coeur d'Alene, 3 - 2009	RBI's	Beth Masuli, Preston, 3 - 2002	RBI's	Dusty Krivenc, Melba, 4 - 2006
Slug percentage	Kayla Anderson, Coeur d'Alene, 3 - 2014	Slug percentage	Maura Hemmert, Bear Lake, 3 - 2013	Slug percentage	Dusty Krivenc, Melba, 13 - 2006
Stolen bases	Rachel Nebel, Rocky Mountain, 14 - 2010	Stolen bases	Gardenia Machuca, Homedale, 11 - 2013/2014	Stolen bases	Terri Valentine, Malad, 1.87 - 2013
Runs scored	Jessica Ulrich, Lewiston, 1.20 - 2008	Runs scored	Gardenia Machuca, Homedale, 1.231 - 2013	Runs scored	Kelsi Haylett, Homedale, 8 - 2000
	Jessica Kraft, Coeur d'Alene 1.20 - 2009		Kim Hopkins, Middleton, 6 - 1997		Kelsi Haylett, Homedale, 11 - 2000
	Megan Hull, Coeur d'Alene, 5 - 1998		Chyna Wilcox, Bear Lake, 6 - 2001		
	Patti Stranger, Coeur d'Alene, 5 - 1998		Morgan Nash, Homedale, 12 - 2014		
	Megan Hull, Coeur d'Alene, 8 - 1998				
Individual — Pitching		Individual — Pitching		Individual — Pitching	
Appearances/games	Blake Hoorelbeke, Coeur d'Alene, 7 - 1998	Appearances/games	Kara Kunz, Bear Lake, 7 - 2000	Appearances/games	Kyle Thorpe, Malad, 7 - 2013
Wins	Blake Hoorelbeke, Coeur d'Alene, 6 - 1998	Wins	Nellie Makings, Kimberly, 7 - 2008	Wins	Kyle Thorpe, Malad, 6 - 2013
Innings pitched	Blake Hoorelbeke, Coeur d'Alene, 46 2/3 - 1998	Innings pitched	Kara Kunz, Bear Lake, 6 - 2000	Innings pitched	Charity McMillan, Homedale, 43 - 1998
E.R.A. (12 inn min.)	Blake Hoorelbeke, Coeur d'Alene, 0.25 - 1999, 2000	E.R.A. (12 inn min.)	Nellie Makings, Kimberly, 48 - 2008	E.R.A. (12 inn min.)	Falen Vidales, Melba, .000 - 1999
Strike-outs	Joni Cook, Eagle, 86 - 2007	Strike outs	Jessica LaPlante, Lakeland, .00 - 2004	Strike-outs	Ashley Bowman, Parma, .000 - 2003
			Nellie Makings, Kimberly, 68 - 2008		Charity McMillan, Homedale, 65 - 1998
4A		1A (Slow Pitch - State Tournament not sponsored after 2001)		1A	
Team		Team		Team	
Runs in one game	Sandpoint, 21 - 2003	Runs in one game	Lakeside, 30 - 1997	Runs in one game	Greenleaf Friends, 26 - 2012
Avg. runs scored per game	Sandpoint, 7 - 2003	Avg. runs scored per game	Lakeside, 20 - 1997	Avg. runs scored per game	Prairie, 13.6 - 2012
Shut-outs	Bishop Kelly, 3 - 2003; Mtn. Home, 3 - 2007			Shut-outs	1: Prairie 2010, 2012, 2014; Horseshoe Bend 2014
E.R.A.	Emmett, 40 - 2003			E.R.A.	Prairie, 2.18 - 2012
Individual — Batting		Individual — Batting		Individual — Batting	
Batting average	Sammy Dodge, Mountain Home, .750 - 2007	Batting average	Alicia Hoffman, Lakeside, .692 - 1997	Batting average	Megan Sigler, Prairie, .75 - 2011
Hits	Sammy Dodge, Mountain Home, 12, 2007	Hits	Mikal Christiansen, Rimrock, 9 - 1997	Hits	Megan Sigler, Prairie, 9 - 2011
Doubles	Nickayla Skinner, Mountain Home, 5 - 2010	Doubles	Alicia Hoffman, Lakeside, 9 - 1997	Doubles	Hailey Paulsen, Greenleaf Friends, 9 - 2012
Triples	Heather Glaze, Post Falls, 4 - 2004	Triples	Rena Simpson, Rimrock, 2 - 1998	Triples	Rachel Kaschmitter, Prairie, 3 - 2009
Home runs	Multiple at 3	Home runs	Nicole Wright, Genesee, 2 - 1999	Home runs	Megan Sigler, Prairie, 3 - 2011
RBI's	Logan Free, Sandpoint, 8 - 2003	RBI's	Kelsey Hoffman, Genesee, 2 - 1998	RBI's	Multiple at 1
Slug percentage	Nickayla Skinner, Mountain Home, 8 - 2010	Slug percentage	Brandi Teichmer, Genesee, 2 - 1998	Slug percentage	Kara Guyer, Prairie, .778 - 2009
Stolen bases	Morose Tobey, Blackfoot, 8 - 2013	Stolen bases	Alicia Hoffman, Lakeside, 3 - 1997	Stolen bases	Megan Sigler, Prairie, 6 - 2012
Runs scored	Sarah Adkinson, Emmett, 1.75 - 2011	Runs scored	Kelsey Hoffman, 10 - Genesee, 1998	Runs scored	Sarah Post, Greenleaf, 6 - 2012
	Numerous at 4	Best slug percentage	Heather Hancock, Genesee, 10 - 1998	Runs scored	Megan Sigler, Prairie, 9 - 2011
	Jennica Quintel, Mountain Home, 4 - 2009	Runs scored	Alicia Hoffman, Lakeside, 1.615 - 1997		
	Jennica Quintal, Mountain Home, 8 - 2010		Mikal Christiansen, Rimrock, 9 - 1997		
Individual — Pitching			Jill Rubelt, Rimrock, 9 - 1997		
Appearances/games	Katie Zillner, Emmett, 7 - 2002		Jennifer Horn, Notus, 9 - 1999		
Wins	Katie Zillner, Emmett, 6, 2002				
Innings pitched	Katie Zillner, Emmett, 49, 2002				
E.R.A. (12 inn min.)	Katie Zillner, Emmett, 40 - 2003				
Strike-outs	Nickayla Skinner, Mountain Home, 75 - 2010				